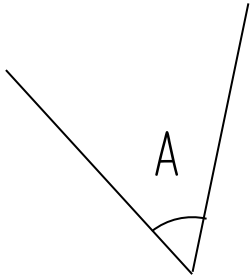
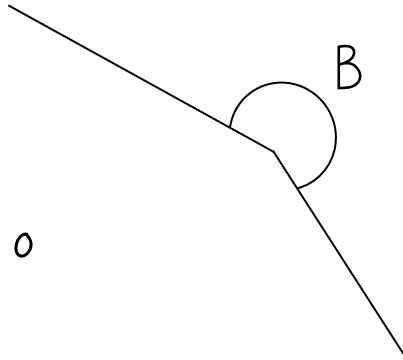


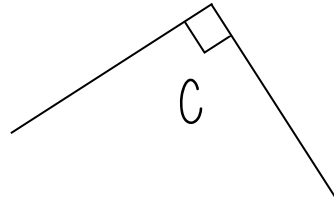
Place the angles into the correct categories



A



B

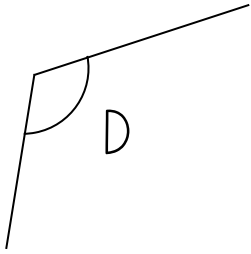


C

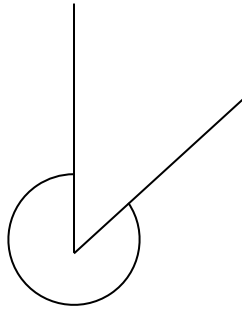
91°

86°

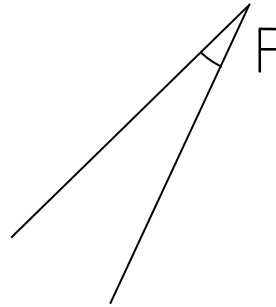
134°



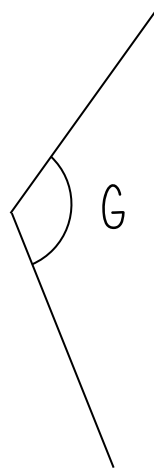
D



E



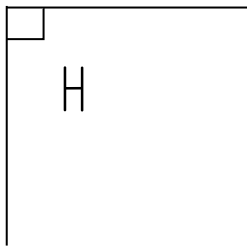
F



G

320°

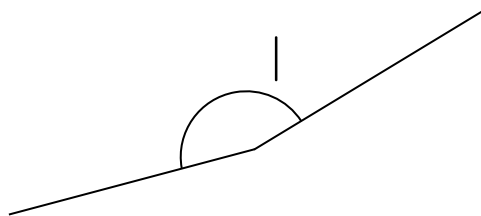
179°



H

90°

238°

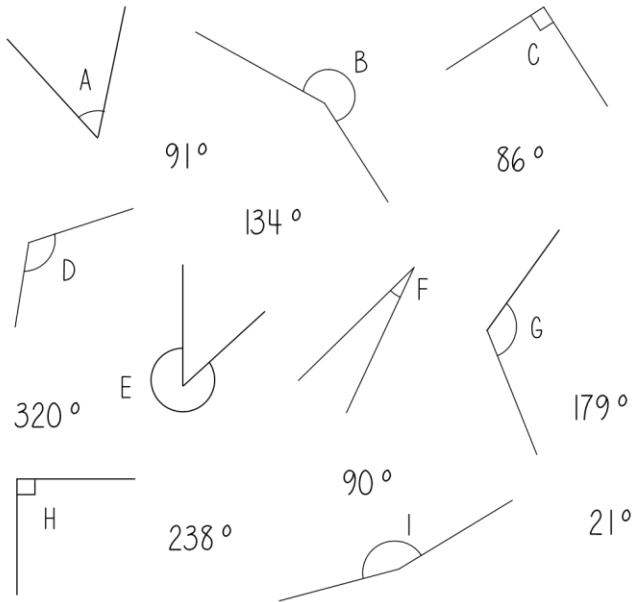


I

21°

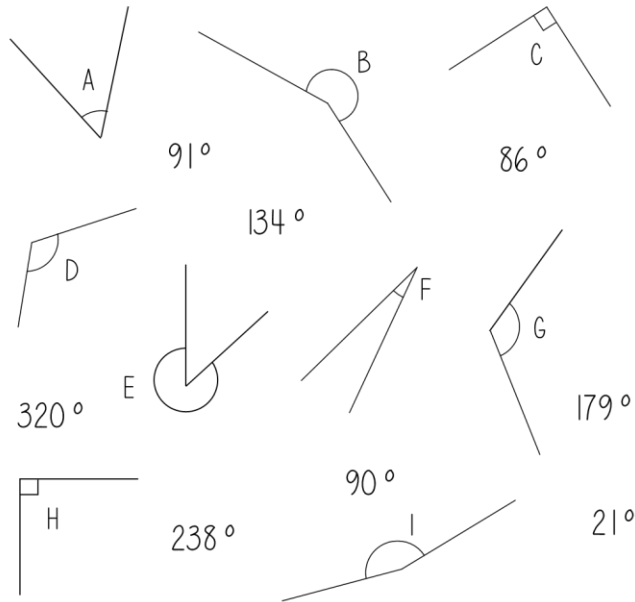
Acute	
	Properties of acute angles
Right Angle	
	Properties of right angles
Obtuse	
	Properties of obtuse angles
Reflex	
	Properties of reflex angles

Place the angles into the correct categories



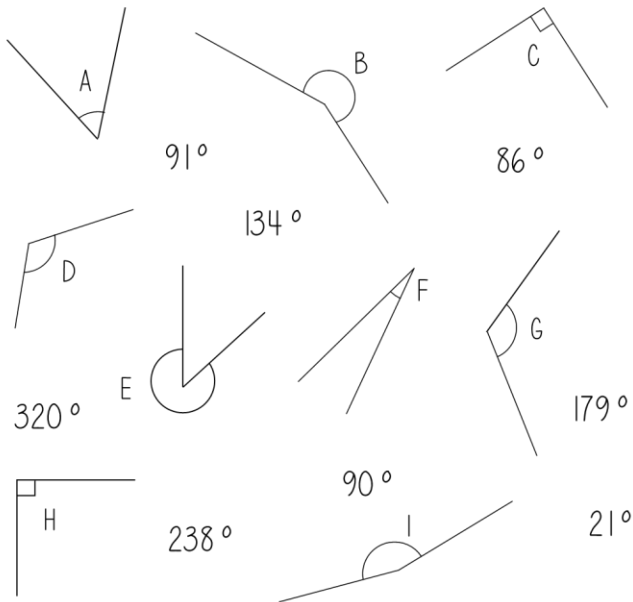
Acute	
	Properties of acute angles
Right Angle	
	Properties of right angles
Obtuse	
	Properties of obtuse angles
Reflex	
	Properties of reflex angles

Place the angles into the correct categories



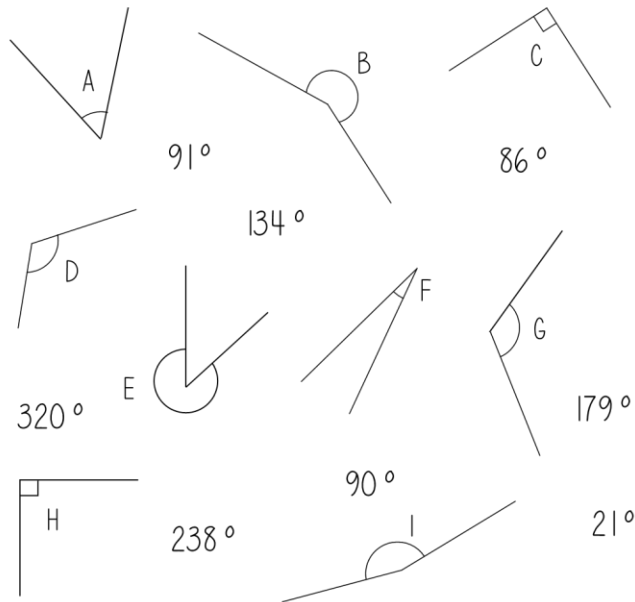
Acute	
	Properties of acute angles
Right Angle	
	Properties of right angles
Obtuse	
	Properties of obtuse angles
Reflex	
	Properties of reflex angles

Place the angles into the correct categories



Acute	
	Properties of acute angles
Right Angle	
	Properties of right angles
Obtuse	
	Properties of obtuse angles
Reflex	
	Properties of reflex angles

Place the angles into the correct categories



Acute	
	Properties of acute angles
Right Angle	
	Properties of right angles
Obtuse	
	Properties of obtuse angles
Reflex	
	Properties of reflex angles